

# **WE ARE HIRING**

## **SALES REPRESENTATIVE (UK)**

### **About us:**

Stewart Gill Conveyors Ltd have been supplying overhead conveyors into all sectors of industry for over 60 years. As a long time member of the Railtechniek van Herwijnen Group from the The Netherlands who has also offices in Germany, France, Italy, Moldova and Bulgaria, Stewart Gill Conveyors Ltd can offer a comprehensive range of overhead conveyor products.

### **Responsibilities:**

- Present, promote and sell overhead conveyor system and services to existing and prospective customers;
- Establish, develop and maintain positive business and customer relationships;
- Reach out to customer leads through calling and email;
- Coordinate sales effort with (international) team members and other departments;
- Supply management with updated on customer needs, problems, interests, competitive activities, and potential for new products and services;
- Coordinate sales effort with team members and other departments;
- Expedite the resolution of customer problems and complaints to maximize satisfaction;
- Co-manage the day-to-day operations of the UK office.

### **About the job:**

We're looking for a results-driven sales representative to actively seek out and engage customer prospects. You will provide complete and appropriate solutions for every customer in order to boost revenue growth, customer acquisition and profitability.

### **Requirements:**

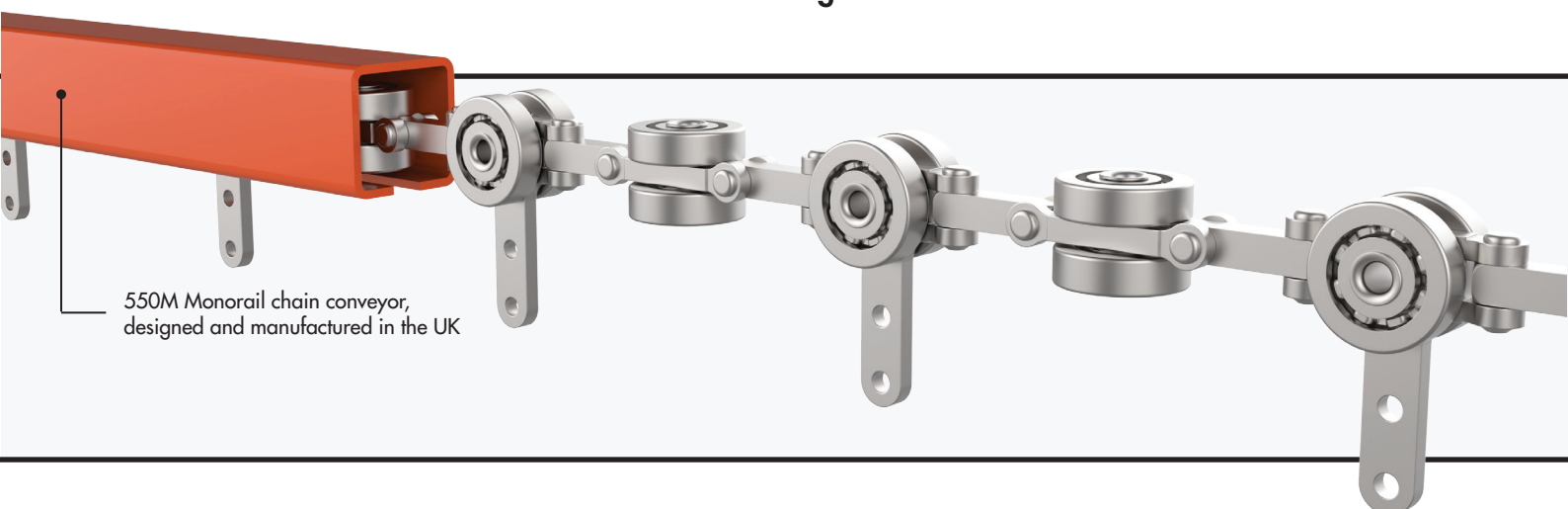
- Proven work experience as a sales representative;
- Excellent selling, communication and negotiation skills;
- Prioritizing, time management and organizational skills;
- Ability to create and deliver offers and presentations tailored to the customers needs;
- Relationship management skills and openness to feedback;
- Working knowledge of internal logistical transport systems.

### **We offer:**

- Market conform salary;
- Dynamic work environment;
- International business with the opportunity to travel to events and exhibitions.

**If you possess the sales skills and experience listed above, please send a copy of your CV to:**

**[info@stewart-gill.co.uk](mailto:info@stewart-gill.co.uk)**



550M Monorail chain conveyor,  
designed and manufactured in the UK



**Stewart Gill Conveyors Ltd**  
Part of the RAILTECHNIEK  
VAN HERWIJNEN GROUP

Stewart Gill Conveyors Ltd  
Unit 4 Brook Business Park  
Brookhampton Lane  
Kineton, Warwickshire  
CV35 0JA, United Kingdom

Tel: +44 (0)1926 641424  
[www.stewart-gill.co.uk](http://www.stewart-gill.co.uk)  
[info@stewart-gill.co.uk](mailto:info@stewart-gill.co.uk)